

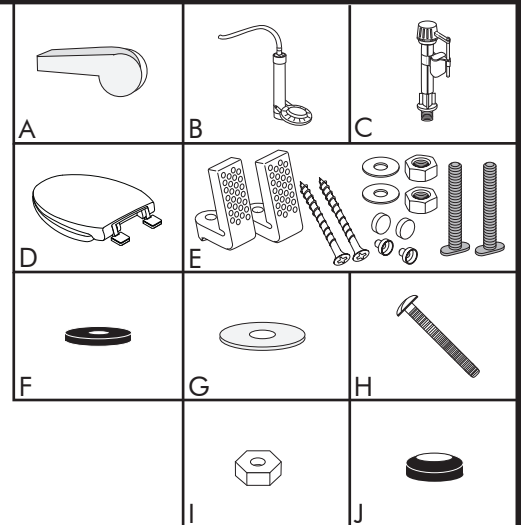
Concealed Toilet With Lever Installation Instructions

• MNO370C

INSTALLATION PROCEDURE

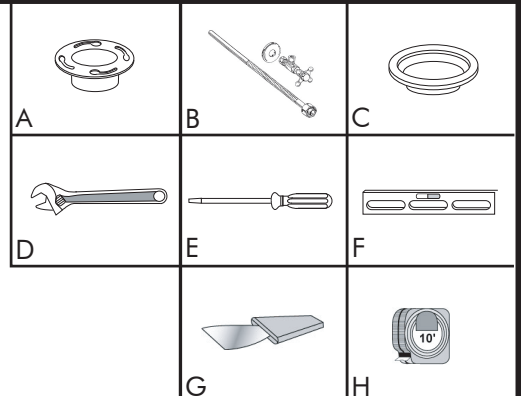
PARTS:

A	Lever handle (Pre-Installed)	x1
B	Complete Flush Valve (Pre-Installed)	x1
C	Complete Fill Valve with Float (Pre-Installed)	x1
D	Toilet Seat	x1
E	Mounting Bracket Kit	x1
F	Rubber Bolt Washer	x2
G	Metal Washers	x2
H	Tank Bolts	x2
I	Metal Nuts	x2
J	Rubber Gasket	x1



TOOLS AND MATERIALS REQUIRED:

A	Floor Flange
B	Water Supply Kit (Not needed if replacing existing toilet)
C	Sealing Ring
D	Adjustable Wrench
E	Philips Screwdriver
F	Level
G	Putty Knife
H	Measuring Tape



THANK YOU FOR CHOOSING MISENO

Thank you for selecting Miseno. We appreciate your commitment to Miseno quality. To ensure that your installation proceeds smoothly, please read these instructions before you begin. Carefully unpack and examine all of the package contents.

If you encounter any installation or performance problems, please don't hesitate to contact us at **1-855-480-2915**. Thanks again for choosing Miseno.

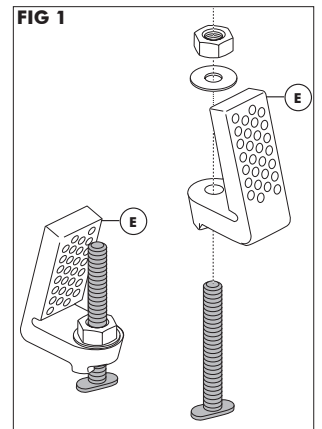
ALL INSTALLATION PROCEDURES MUST COMPLY IN STRICT ACCORDANCE WITH APPLICABLE LOCAL PLUMBING AND BUILDING CODES.

Concealed Toilet With Lever Installation Instructions

• MNO370C

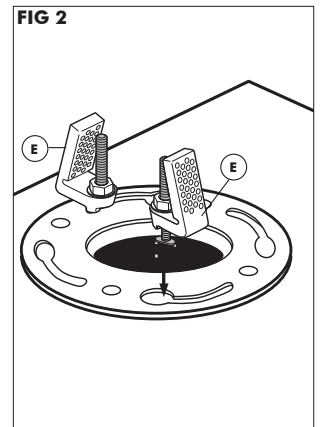
REMOVING YOUR OLD TOILET

- 1** Turn off the water supply.
- 2** Flush the toilet to empty the tank. Remove any water left in the tank or bowl.
- 3** Disconnect the supply line from tank.
- 4** Remove decorative caps. Unscrew nuts that attach the toilet to the floor.
- 5** Remove toilet.



INSTALLATION PROCEDURE

- 1** Make sure the water supply valve is shut off before installation.
- 2** Remove old closet bolts from closet flange. Clean any old wax, putty, etc. from base area.
- 3** Attach white mounting brackets (E) to the flange bolts. Use the washer and bolt to secure. (See Figure 1)
- 4** Install the bracket (E) onto the flange by inserting the bolt into the large part of the slot. Slide the bracket down the slot to the smaller end and tighten the bolt. (See Figure 2)



Concealed Toilet With Lever Installation Instructions

• MNO370C

INSTALLATION PROCEDURE

5 Insert tank bolts (H) inside the tank. Use rubber washers (F) supplied to create a seal. (See Figure 3)

6 Attach the large rubber sealing gasket (J) to the center drain hole under the tank. (See Figure 3)

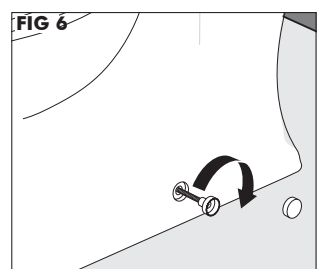
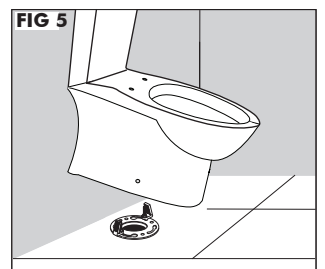
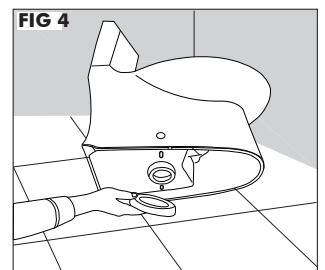
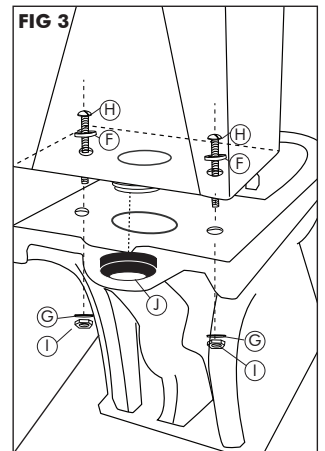
7 Gently place the tank on the bowl with the bolts (H) protruding out underneath. Then tighten with metal washers (G) and metal nuts (I), tighten enough that the tank sits flat on the bowl.

8 Turn the toilet side ways onto a soft surface to avoid scratches on the finish. Place a new wax ring (not included) around the waste flange of the toilet bowl. (See Figure 4)

9 Lower the toilet into position so that the bracket are parallel to the inner wall of the toilet. (See Figure 5) Using a rocking motion, press the bowl down to position the toilet onto the flange and create a seal with the wax ring.

10 Insert screw through the mounting hole on the side of the toilet and tighten until it catches the mounting bracket holes. (See Figure 6)
CAUTION: DO NOT OVERTIGHTEN.

11 Attach the decorative screwhead covers on each side of the bowl.

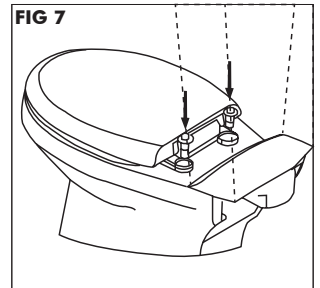


Concealed Toilet With Lever Installation Instructions

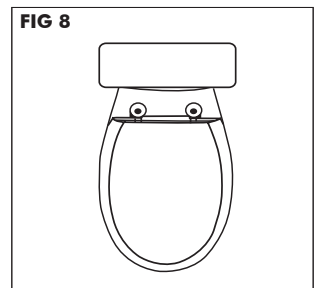
• MNO370C

TOILET SEAT INSTALLATION PROCEDURE

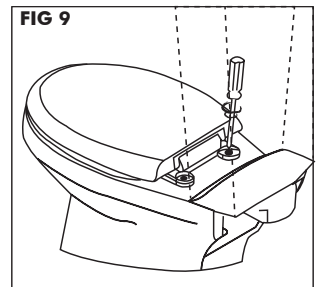
1 Place the toilet seat on top of the bowl and then insert the provided seat bolt sets into the holes of the toilet seat and bowl. (See Figure 7)



2 Align the toilet seat to the top rim of the toilet bowl. (See Figure 8)

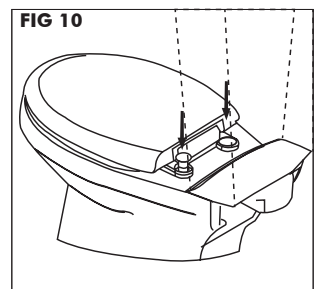


3 Use a screwdriver to firmly tighten both seat bolts down to the bowl. (See Figure 9)



4 Push the decorative caps down over the bolts. (See Figure 10)

CAUTION: Do not push down on the seat with force, doing so may damage the slow close mechanism.



Concealed Toilet With Lever Installation Instructions

• MNO370C

CONNECT WATER SUPPLY

1 Connect water supply line (new or existing) between shutoff valve and tank inlet water fitting. Tighten coupling nuts securely.
NOTE: DO NOT OVERTIGHTEN

2 Turn on supply valve and allow tank to fill until float rises to shutoff position.

3 Check for leakage at fittings, tighten or correct as needed.

TROUBLE SHOOTING FOR REGULAR FLUSH VALVE OR CANISTER FLUSH VALVE

Problem: Poor Flush.

Solution: You need to verify if the chain is too long causing the flapper to not activate the flush properly.

Problem: Continuous water running.

Solution: It may occur if the flush valve seal is not completely closed. 1) Verify if there is any obstruction with the flush seal. 2) Make sure the flush valve chain has the proper length at rest.

REPAIR PARTS

Fill Valve w/Float
Flush Valve
Rubber Gasket
Tank Lever handle
Toilet Seat

Wipe the outside of the toilet gently with a damp cloth and blot dry with a soft towel. Make sure that the complete surface is cleaned and completely dry. NOTE: IMPROPER CARE MAY CAUSE THE WARRANTY TO BECOME INVALID.

1 YEAR LIMITED WARRANTY

WHAT IS COVERED?

Build.com, Inc. or the "Company" warrants its products to be free from defects in material and workmanship under normal use and service FOR A PERIOD OF ONE (1) YEAR FROM THE DATE OF INSTALLATION.

WHAT IS NOT COVERED?

The warranty set forth in paragraph 1 does not cover installation or any other labor charges and does not apply to products which have been damaged as a result of any accident, abuse, improper installation or maintenance, or modification of original plumbing product. The warranty of such products is limited to the warranty extended to Build.com, Inc. by the product manufacturer. Finally, Build.com, Inc. SHALL NOT BE RESPONSIBLE OR LIABLE FOR ANY FAILURE OR DAMAGE TO THIS PRODUCT OR ANY COMPONENT THERE OF CAUSED BY THE USE OF ABRASIVE CLEANERS.

HOW TO OBTAIN WARRANTY SERVICE

US and Canadian Customers:
The purchaser should contact Build.com, installing contractor or builder from whom the product was purchased.

LIMITATIONS OF IMPLIED WARRANTY AND DISCLAIMER OF CONSEQUENTIAL OR INCIDENTAL DAMAGES

Build.com, Inc. DISCLAIMS ANY LIABILITY FOR CONSEQUENTIAL OR INCIDENTAL DAMAGES AND DISCLAIMS ALL EXPRESS OR IMPLIED WARRANTIES, INCLUDING THOSE OF MERCHANTABILITY AND FITNESS FOR A PARTICULAR PURPOSE.

IMPLIED WARRANTIES OF THE PRODUCTS AND PRODUCT COMPONENTS ARE LIMITED TO THE DURATION OF THE RESPECTIVE WARRANTY.

Some states do not allow the exclusion or limitation of incidental or consequential damages or limitations on how long an implied warranty lasts, so the above limitations may not apply to you. This warranty gives you specific legal rights and you may also have other rights, which vary from state to state.

Miseno is a registered trademark of Build.com, Inc.